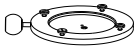
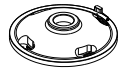


# Ceiling Bracket

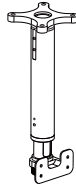
## Accessories



QR-M



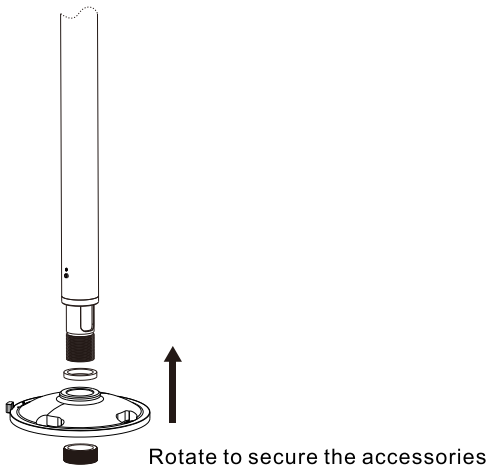
C-PMBA x1 (Optional)



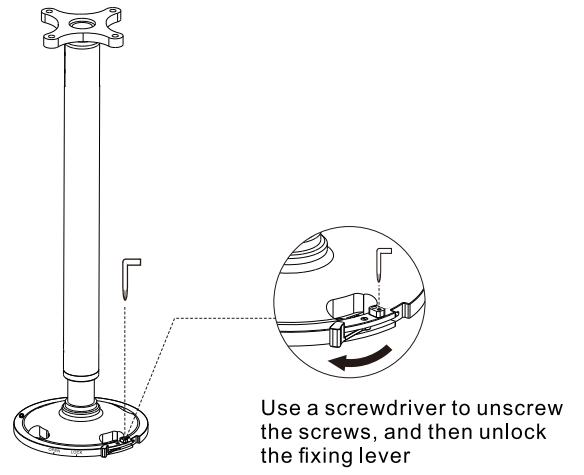
C-PMSB x1 (Optional)

## Installation Steps

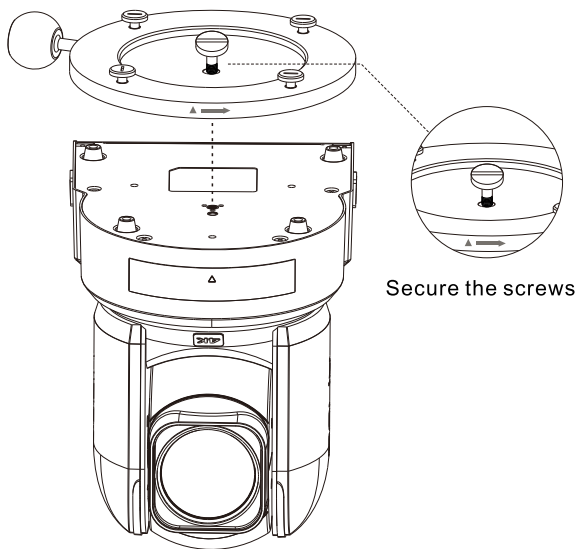
①



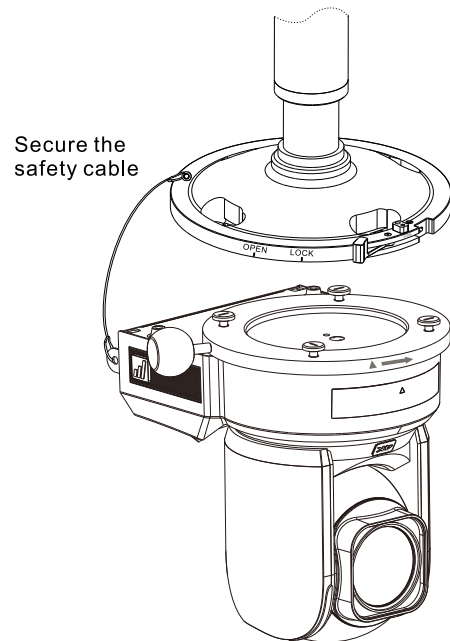
②



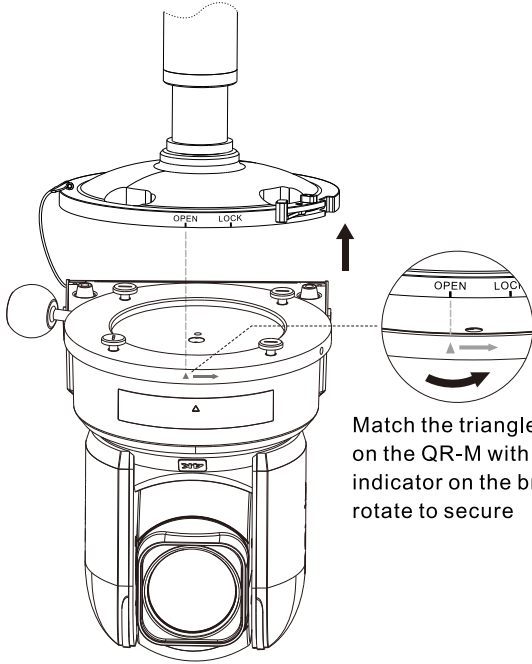
③



④

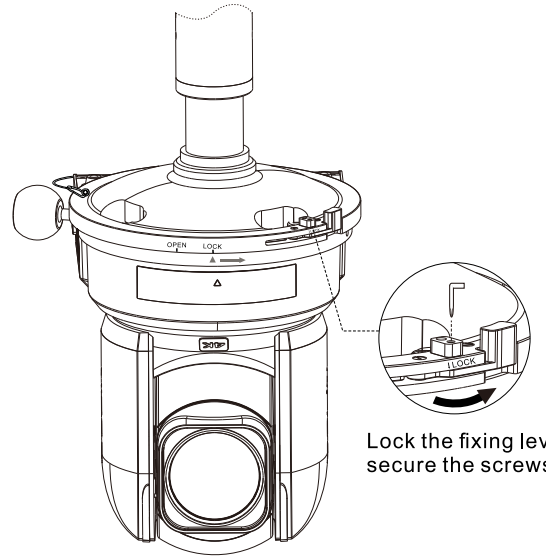


5



Match the triangle marker on the QR-M with the 'Open' indicator on the bracket, then rotate to secure

6



Lock the fixing lever and secure the screws