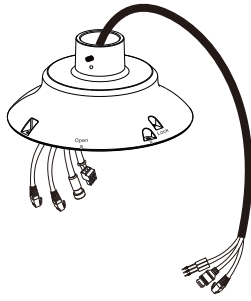
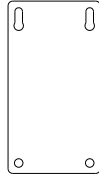


Wall Mount Bracket x1



Flange cover x1



Positioning sticker x1



Safety cable

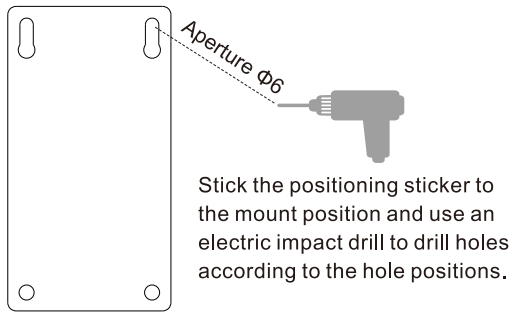


M6*14 x3

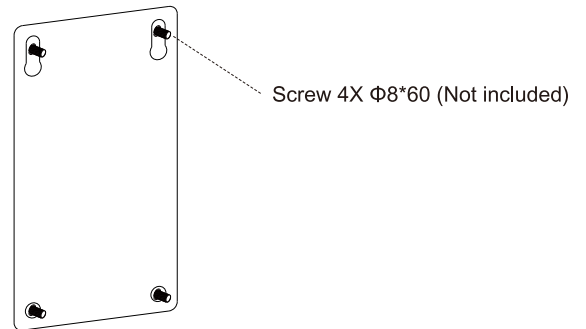


PM3*8 x1

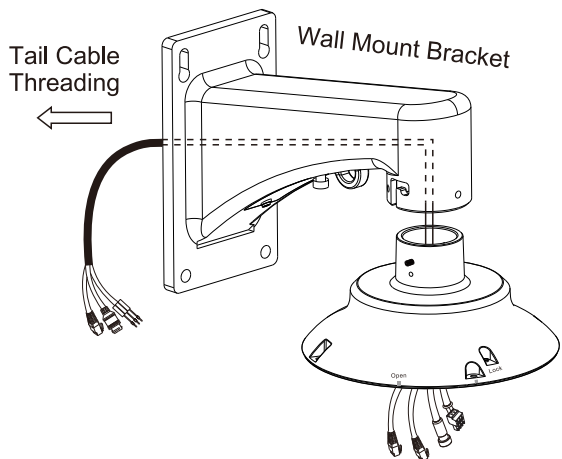
①



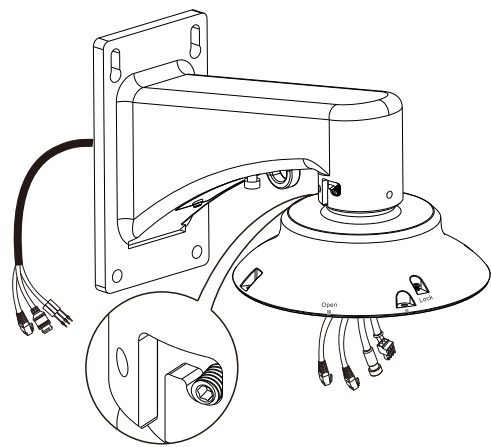
②



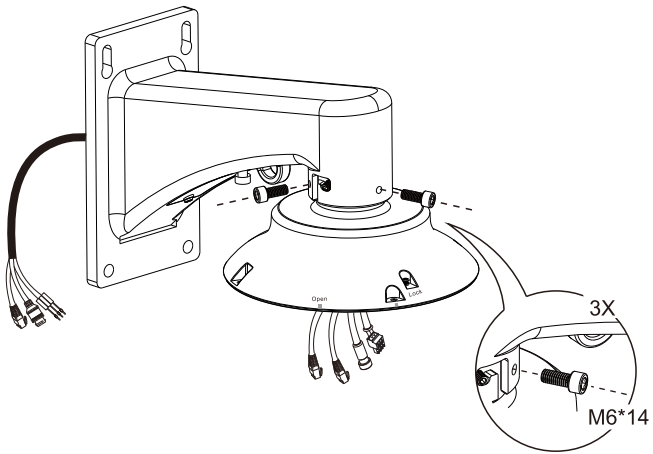
③



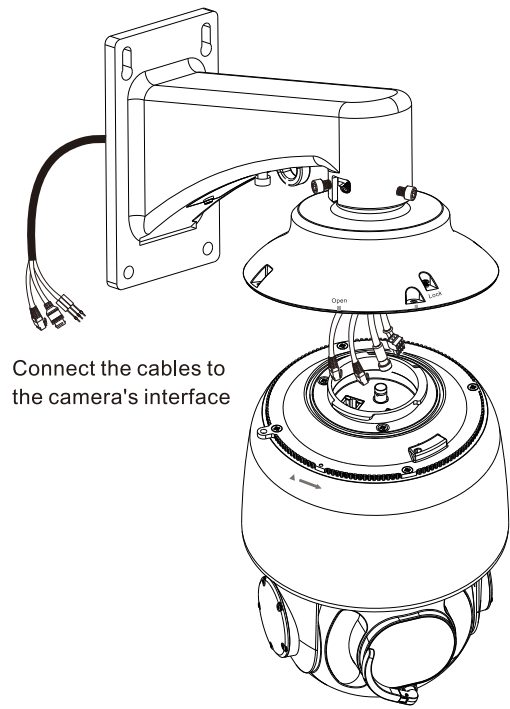
④



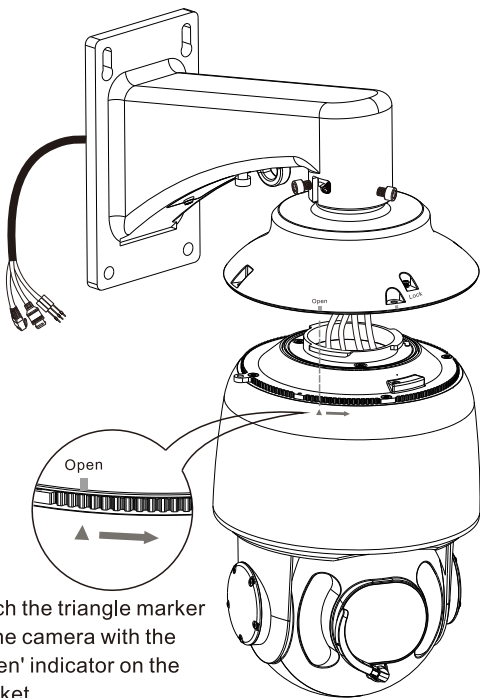
⑤



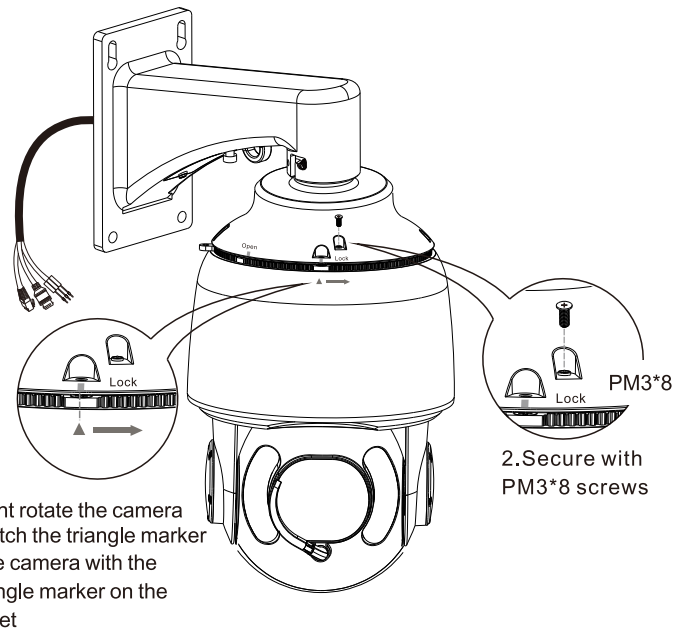
⑥



⑦



⑧

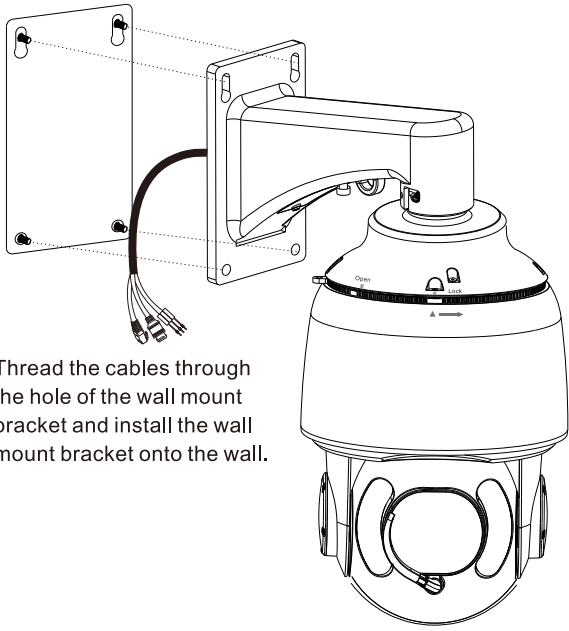


Match the triangle marker on the camera with the 'Open' indicator on the bracket

1. Right rotate the camera to match the triangle marker on the camera with the rectangle marker on the bracket

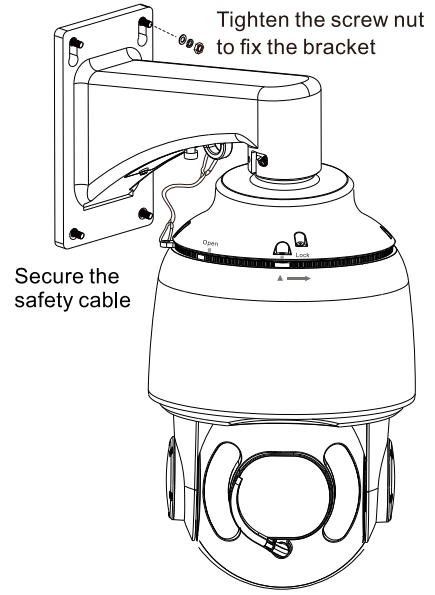
2. Secure with PM3*8 screws

9



Thread the cables through the hole of the wall mount bracket and install the wall mount bracket onto the wall.

10



Tighten the screw nut to fix the bracket

Secure the safety cable