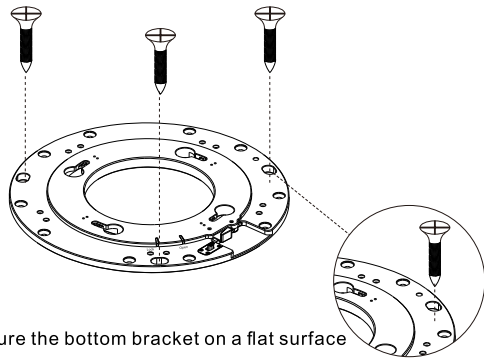


QR-BM x1
Bottom bracket



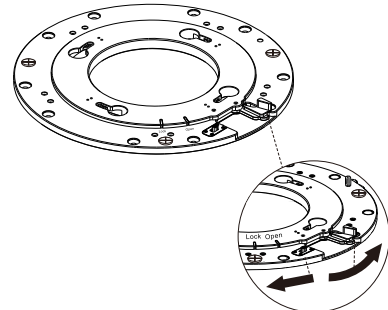
Safety Cable

1.



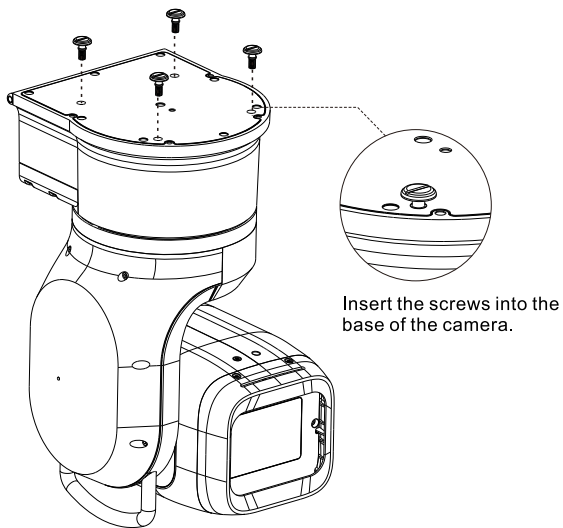
Secure the bottom bracket on a flat surface

2.



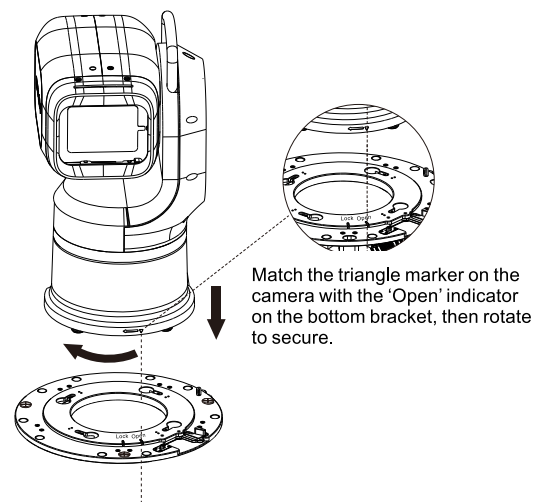
Slide the buckle towards the left and swing the fixing lever to the right.

3.



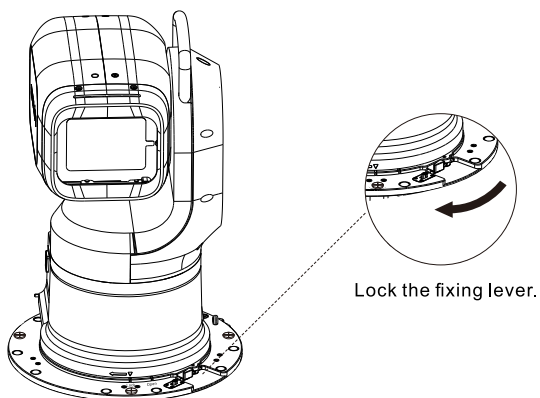
Insert the screws into the base of the camera.

4.



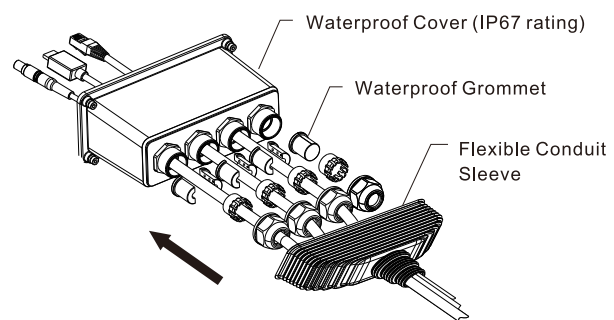
Match the triangle marker on the camera with the 'Open' indicator on the bottom bracket, then rotate to secure.

5.



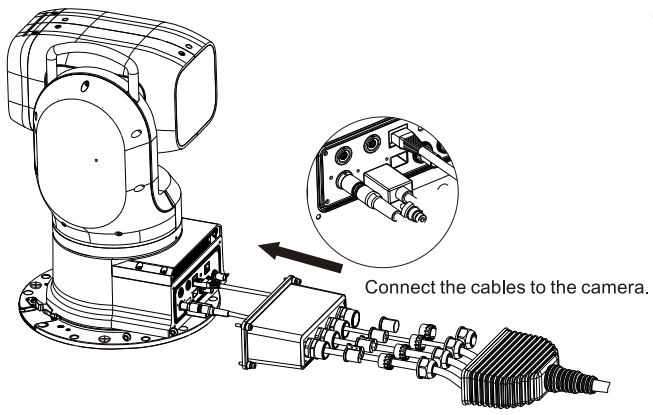
Lock the fixing lever.

6.

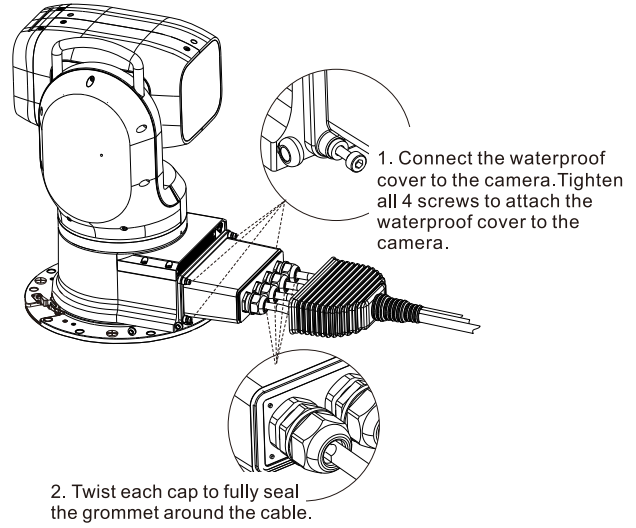


Thread the cables through the flexible conduit sleeve, the waterproof grommet, and into the waterproof case.

7.



8.



9.

