

C-WM3B/C-WM3W x1  
Used for 9 Series Camera



M4\*8PW x3  
For fixing 9 Series Camera



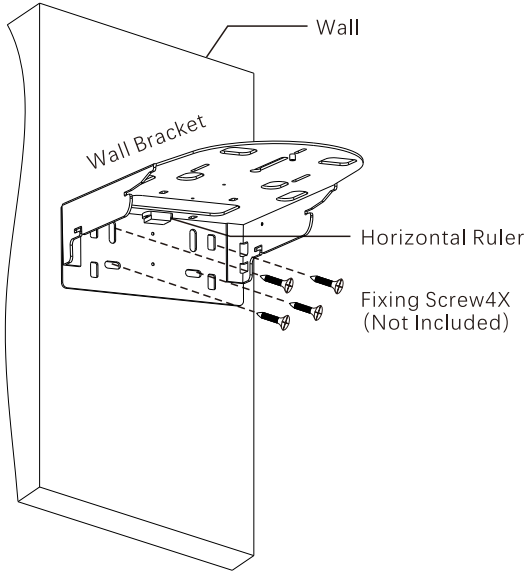
1/4-20UNC x1  
Included with Bracket Purchased  
(Backup)



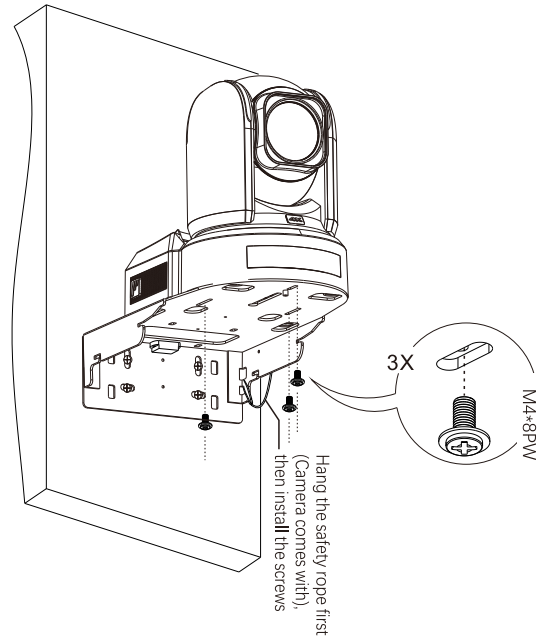
Cable Ties x 3  
8\*300mm  
For securing cables and power adapter

## Camera Installation Diagram

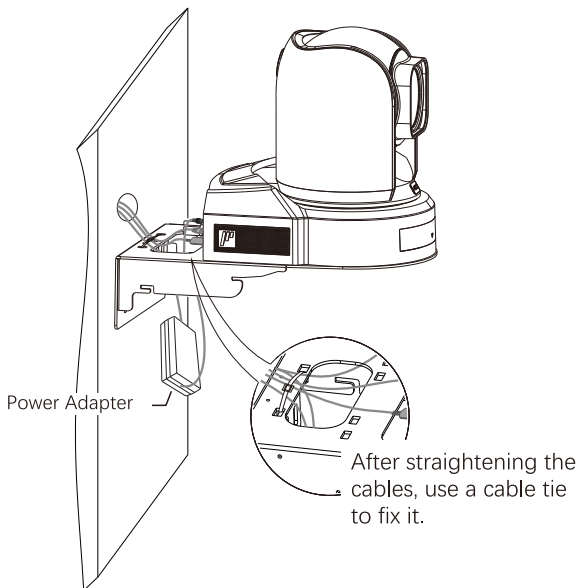
1



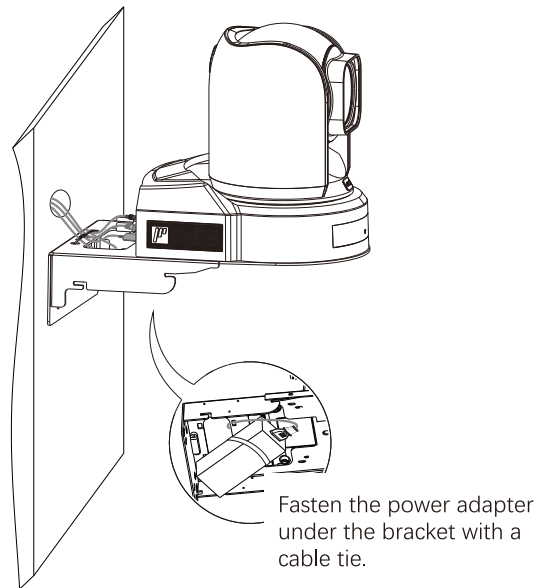
2



3

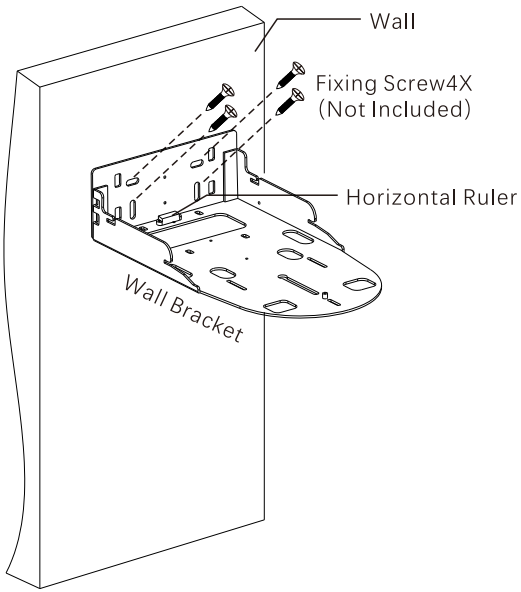


4

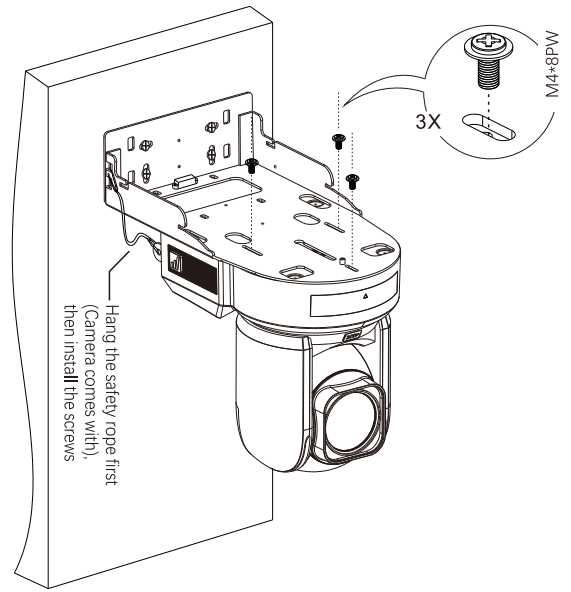


# Camera Hoisting Diagram

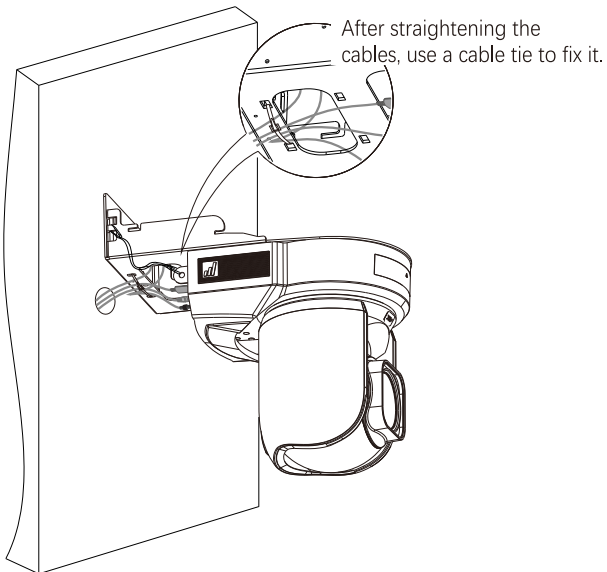
1



2



3



4

