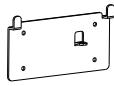


ES-WM x1



Mounting Support Bracket x1



Positioning Template x1

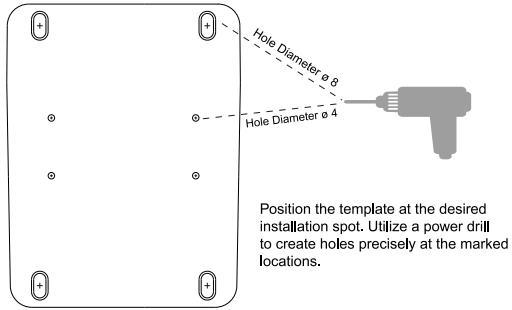


1/4-20UNC x4



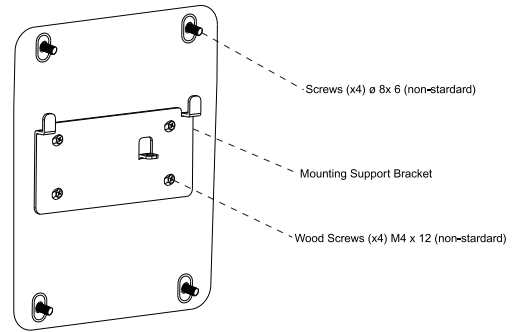
Safety Cable x1

1.

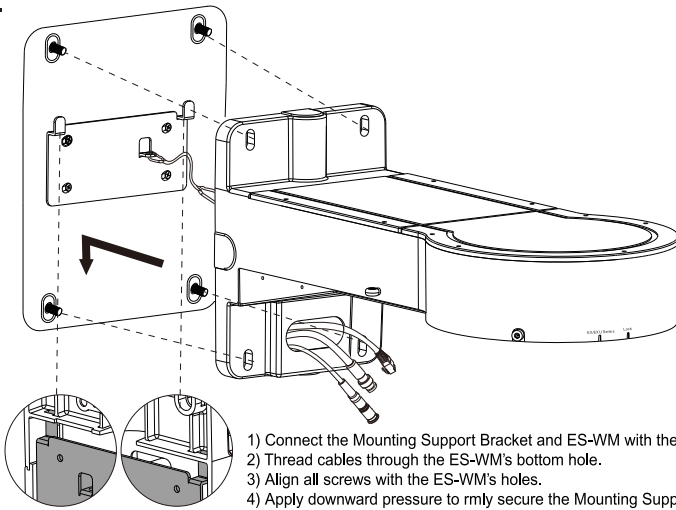


Position the template at the desired installation spot. Utilize a power drill to create holes precisely at the marked locations.

2.

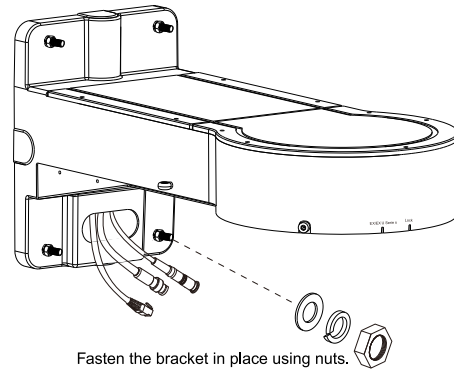


3.

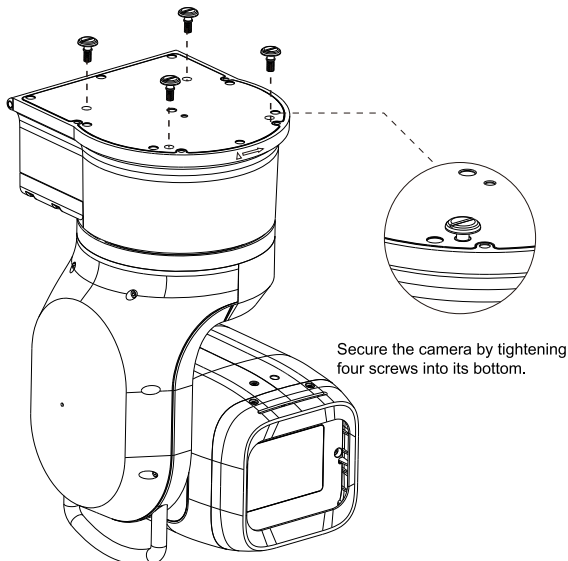


- 1) Connect the Mounting Support Bracket and ES-WM with the Safety Cable.
- 2) Thread cables through the ES-WM's bottom hole.
- 3) Align all screws with the ES-WM's holes.
- 4) Apply downward pressure to firmly secure the Mounting Support Bracket and ES-WM together.

4.

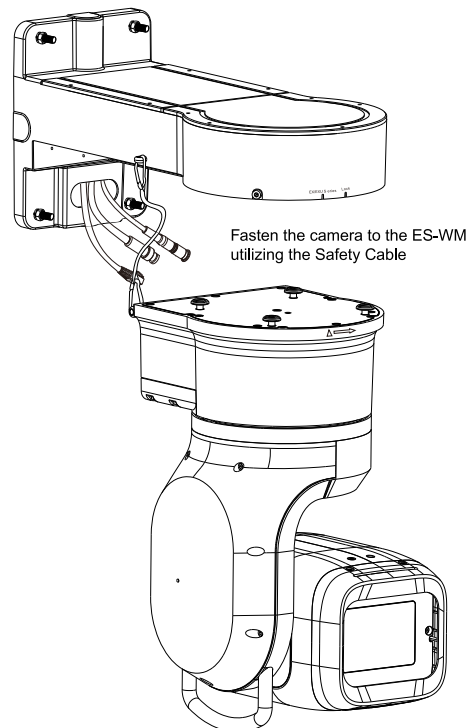


5.

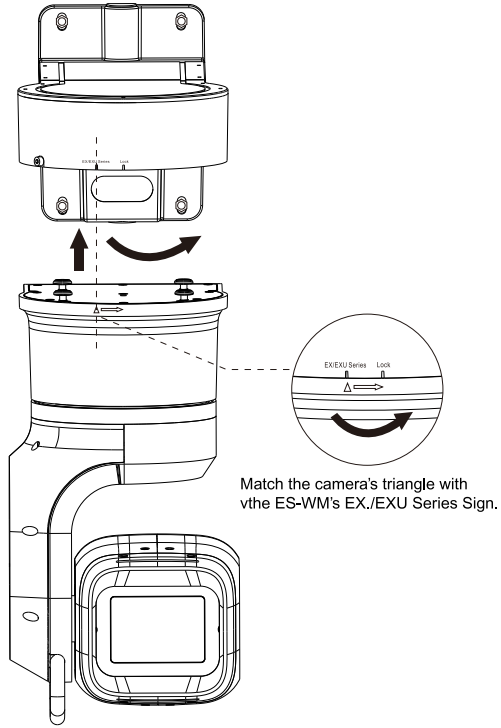


Secure the camera by tightening four screws into its bottom.

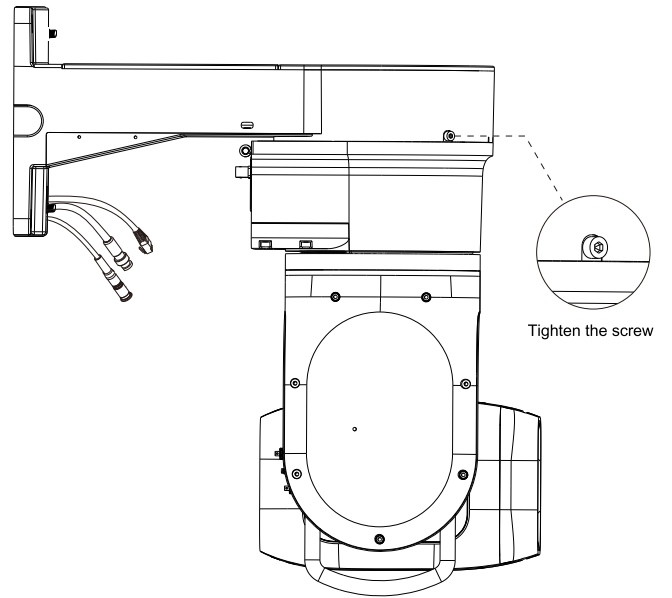
6.



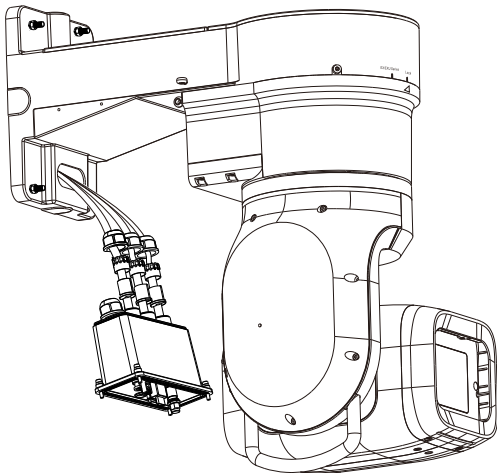
7.



8.

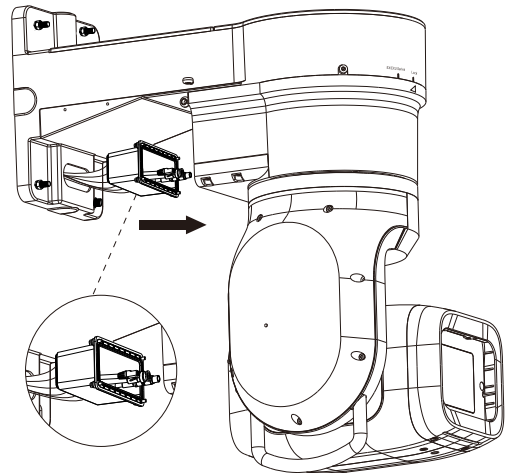


9.



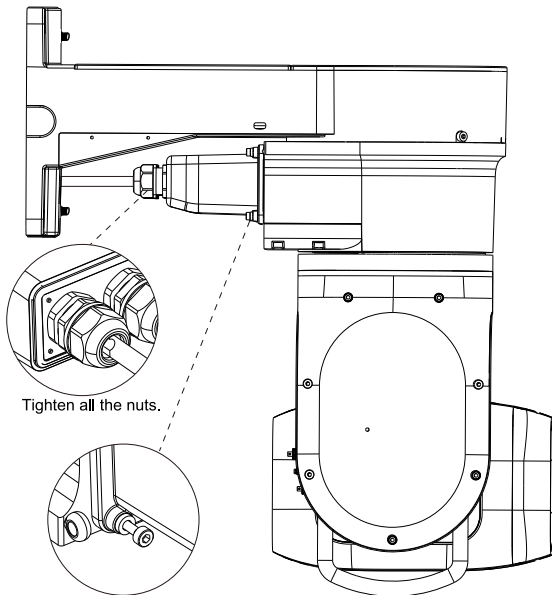
Thread the cables through the waterproof case.

10.



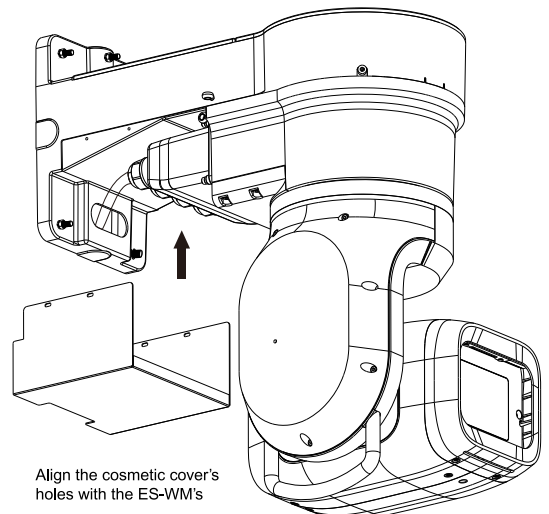
Plug cables into the camera's ports.

11.



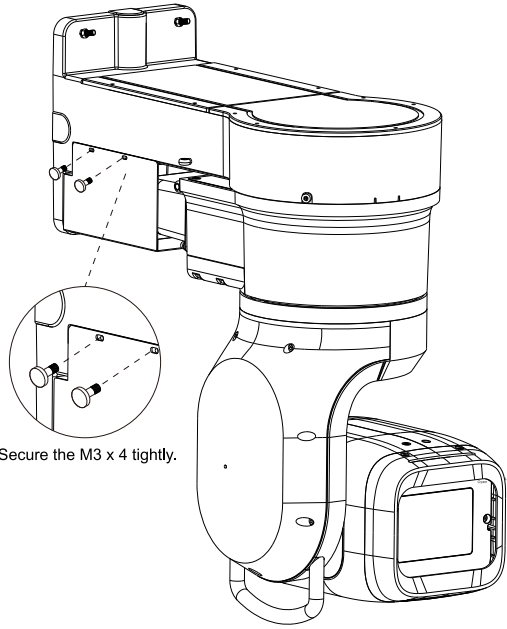
Attach the waterproof case and secure it by tightening the four screws.

12.

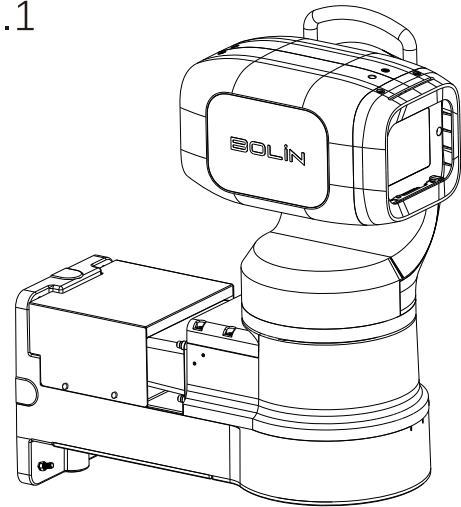


Align the cosmetic cover's holes with the ES-WM's

13.



13.1



Please note: When the camera is mounted in an inverted position, the ES-WM bracket will also be oriented upside down.