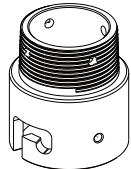


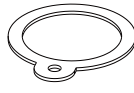
1X

Base Bracket



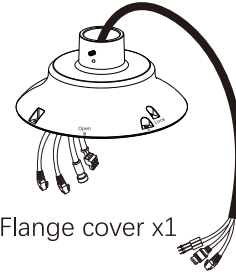
1X

Ceiling Mount Head



1X

Ring



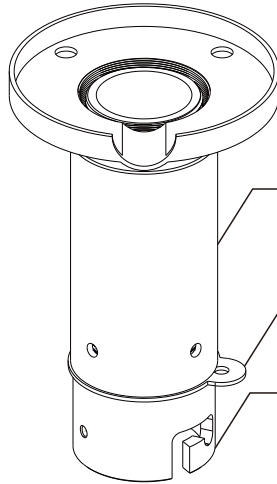
Flange cover x1



M5x8

2X

①



Base Bracket

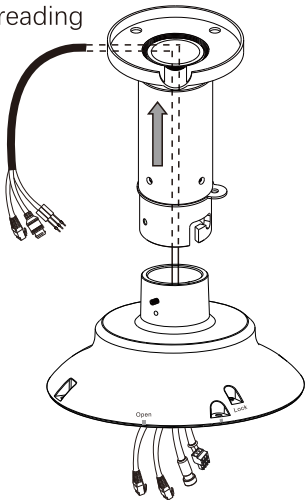
Extend Steave  
(Not including with product)

Flying Ring

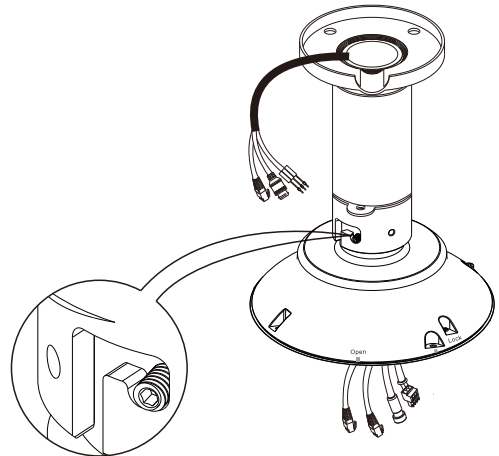
Convert Header

②

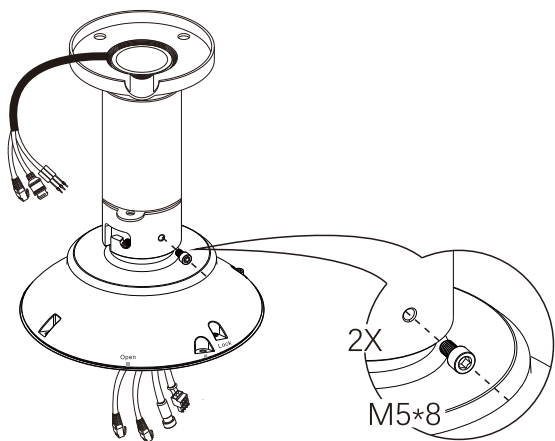
Cable Threading



③



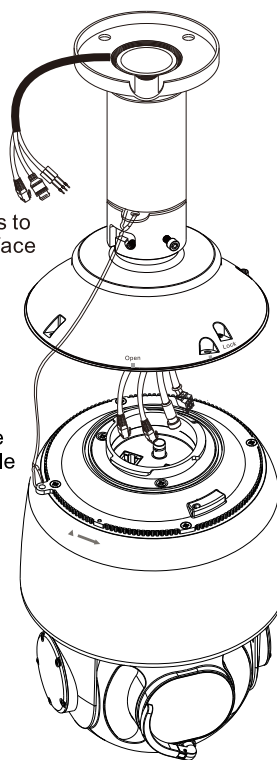
④



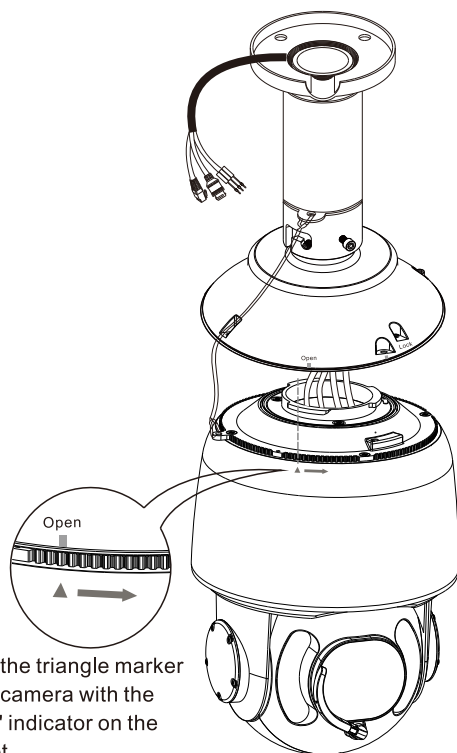
⑤

Connect the cables to the camera's interface

Secure the safety cable



⑥

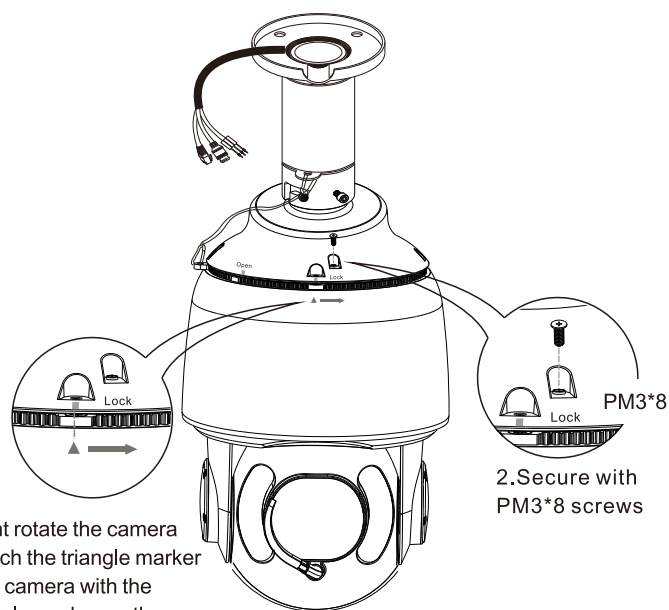


Match the triangle marker on the camera with the 'Open' indicator on the bracket

⑦

1. Right rotate the camera to match the triangle marker on the camera with the rectangle marker on the bracket

2. Secure with PM3\*8 screws



⑧

