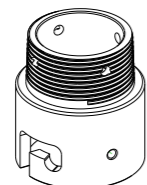


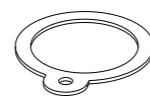
1X

Base Bracket



1X

Ceiling Mount Head



1X

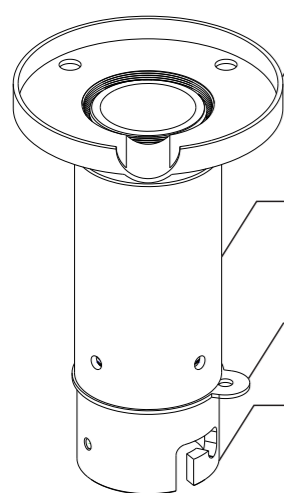
Ring



2X

M5*8

①



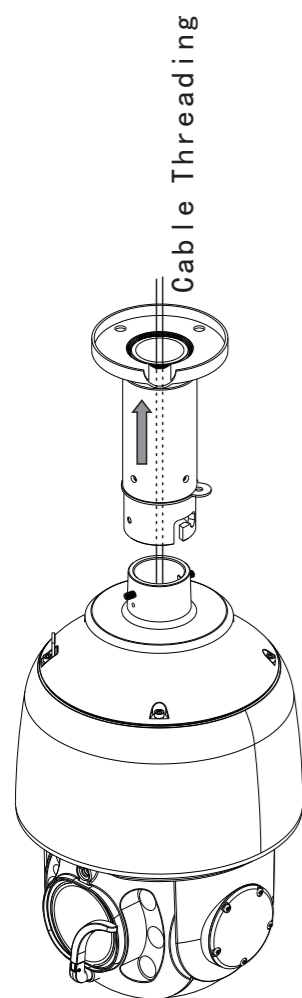
Base Bracket

Extend Steave
(Not including with product)

Flying Ring

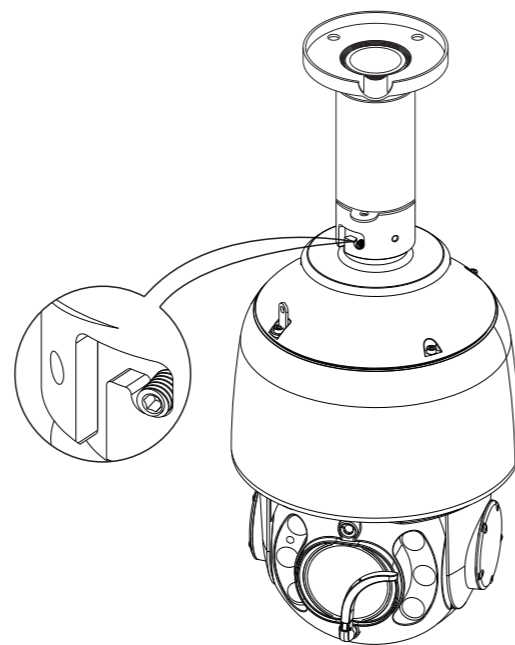
Convert Header

②

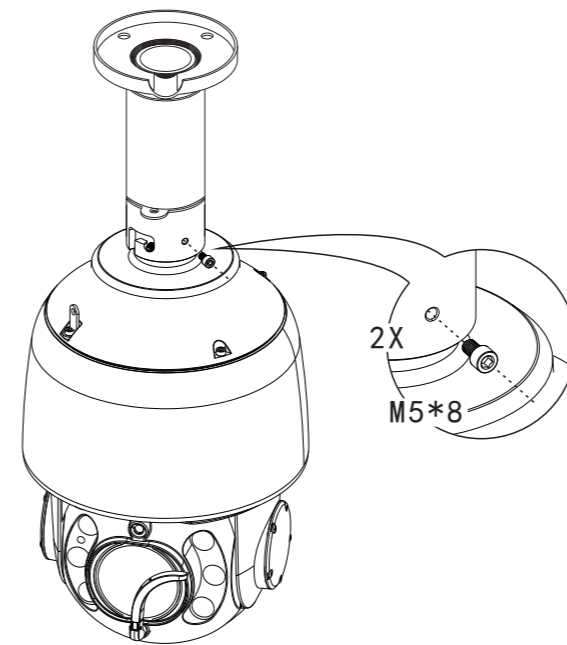


Cable Threading

③



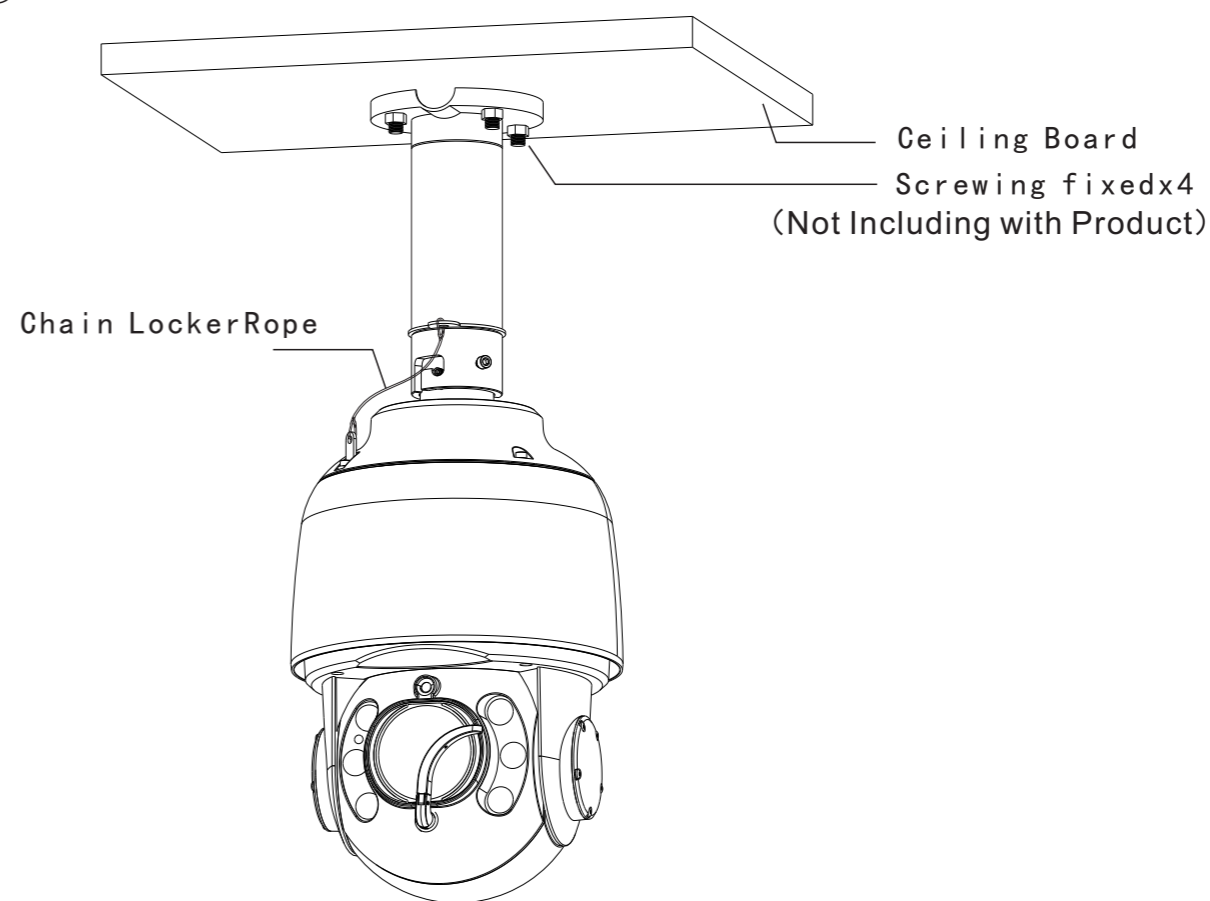
③



2X

M5*8

④



Ceiling Board
Screwing fixedx4
(Not Including with Product)

Chain LockerRope